



3YM20 Series

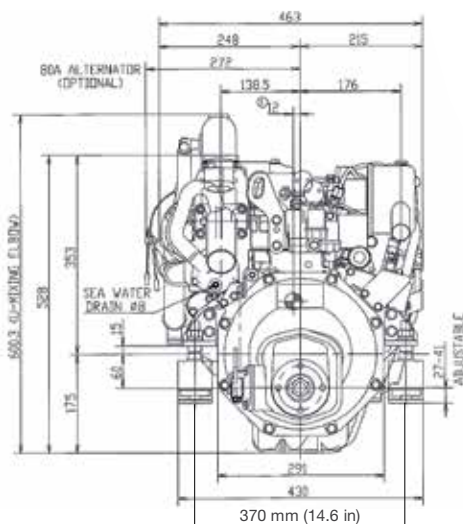
Configuration	4-stroke, vertical, water-cooled diesel engine		
Maximum output at crankshaft	* 15.3 kW@3600 rpm	[21 mhp@3600 rpm]	
Displacement	0.854 L	[52.1 cu in]	
Bore x stroke	70 mm x 74 mm	[2.76 in x 2.91 in]	
Cylinders	In-line		
Combustion system	Indirect injection		
Aspiration	Natural aspiration		
Starting system	Electric starting 12V - 1.4 kW		
Alternator	12V - 125A		
Cooling system	Fresh water cooling with heat exchanger		
Lubrication system	Enclosed, forced lubricating system		
Direction of rotation [crankshaft]	Counterclockwise viewed from stern		
Dry weight without gear	110 kg	[243 lbs]	
Emission compliance	EU: RCD 2	BSO II	EMC
	US: EPA Tier 3		
Engine mounting	Rubber type flexible mounting		

NOTE:

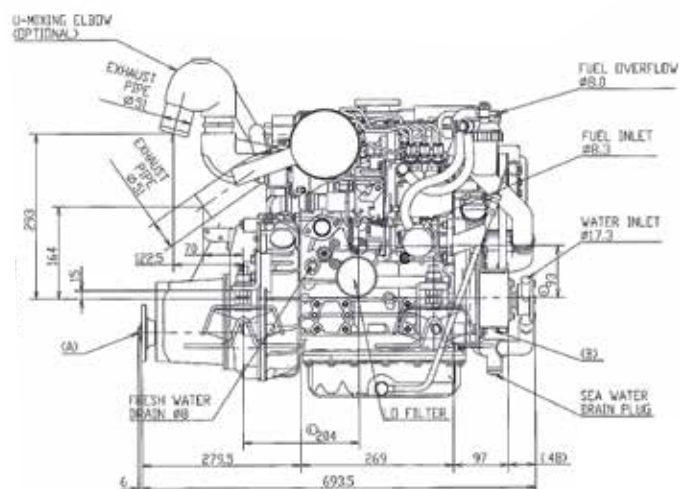
Fuel condition: Density at 15°C = 0.84 g/cm³; 1 kW = 1.3596 mhp = 1.3410 HP
 * Fuel temperature 40°C at the inlet of the fuel injection pump [ISO 8665:2006]
 Technical data is according to ISO 8665:2006/3046-1

DIMENSIONS

Rear view



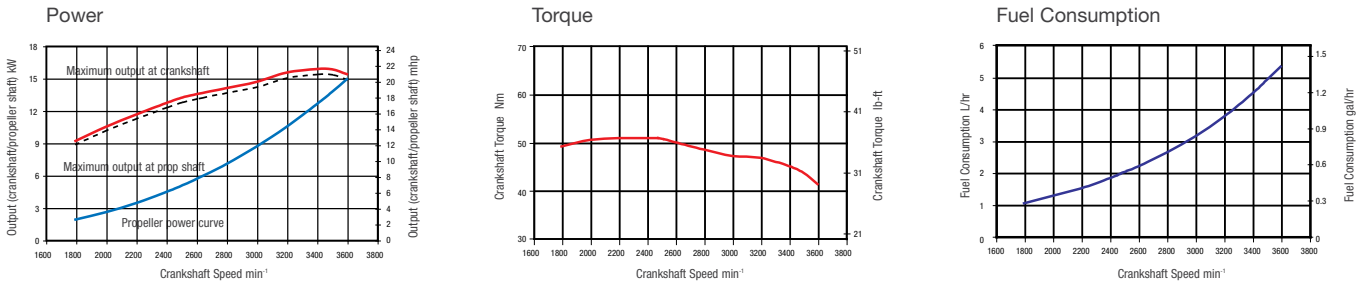
Right side view



3YM20 with KM2P-1 marine gear



PERFORMANCE CURVES

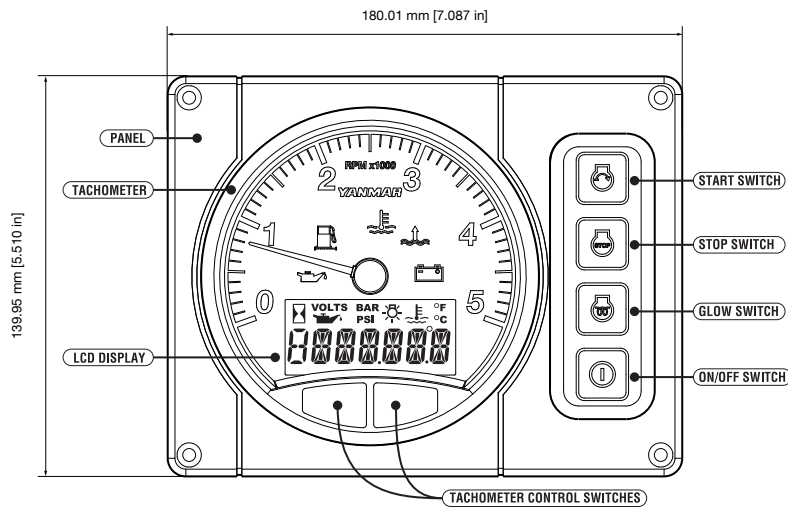


MARINE GEARS / DRIVE*

Model	KM2P-1 (parallel)			Saidrive [SD25]
Type	Mechanical cone clutch			Constant mesh gear with dog clutch
Dry weight	9.8 kg [22 lbs]			30 kg [66 lbs]
Reduction Ratio [fwd/rev]	2.21/3.06	2.62/3.06	3.22/3.06	2.64/2.64
Propeller speed [fwd/rev]	1629/1176	1374/1176	1118/1176	1364/1364
Direction of rotation (viewed from stern)	Clockwise			Counterclockwise
Dry weight - engine & gear	120 kg [265 lbs]			144 kg [317 lbs]
Length engine and gear/drive	693 mm [27 in]			873 mm [34 in]

* Other marine gearboxes and configurations available upon request. Contact your local supplier for more information

INSTRUMENT PANELS



B20-panel

ACCESSORIES

Standard engine package

- Set of flexible mounts
- Exhaust mixing elbow [L-type]
- Belt safety cover
- Expansion tank for fresh water cooling system
- Alternator 12V - 125A
- Electric stop solenoid
- Operation manual
- Sensor for instrument panel
- B20-panel

Optional accessories

- Extension wire harness [4m, 6m, 10m]
- High-riser mixing elbow [instead of L-elbow]
- Hot water kit with cocks
- Dual Harness (For 2nd Station)
- Propeller cone nut kit SD25

NOTE: All data subject to change without notice. Text and illustrations are not binding.